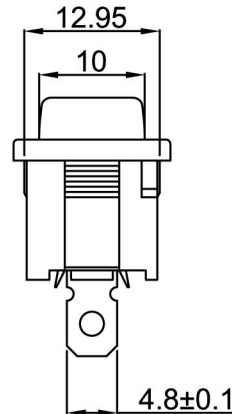
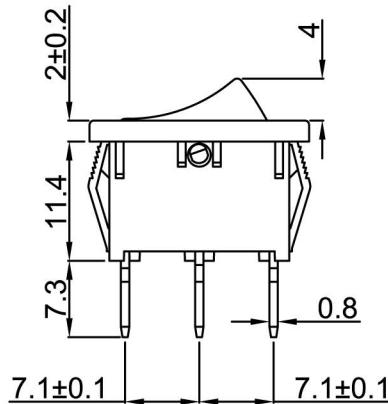
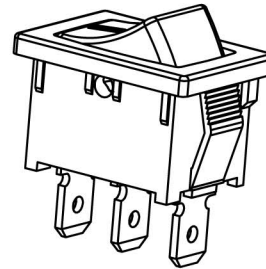
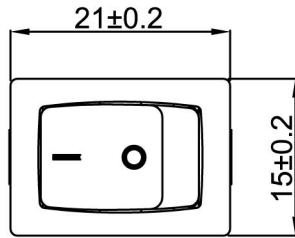
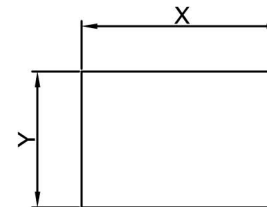


MR-1

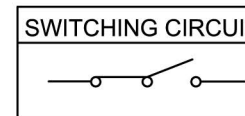


Rating: 12A 125VAC(UL / CUL)  
 10A 250VAC(CQC / ENEC/CB)  
 Contact Resistance: 50mΩ max  
 Insulation Resistance: DC 500V 100MΩ min.  
 Dielectric Strength: AC 1500V 1 minute  
 Operating Force: 350±100gf  
 Mechanical Life: Over 30,000 cycles  
 Electrical Life: Over 10,000 cycles  
 Operating Temperature: -25°C ~ 85°C  
 Safety Approval:

CUT-OUT



|           | X        | Y        |
|-----------|----------|----------|
| 0.75~1.25 | 19.2-0.1 | 13.0+0.1 |
| 1.25~2.00 | 19.4-0.1 | 13.0+0.1 |
| 2.00~3.00 | 19.8-0.1 | 13.0+0.1 |



MATERIAL:

Body: Nylon66, UL rated: 94V-2 min.  
 Actuator: Nylon66, UL rated: 94V-2 min.  
 Terminal: Brass, silver or tin plated

MR-1-120-C5N-BB  
 01.086.0143